



SOUNDWELL®

<http://soundwell-cn.com>


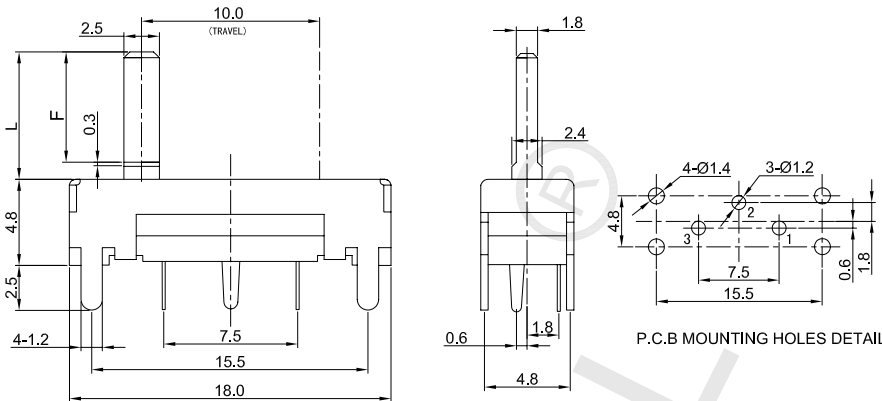
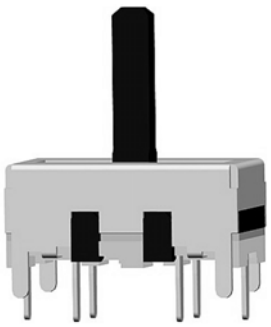
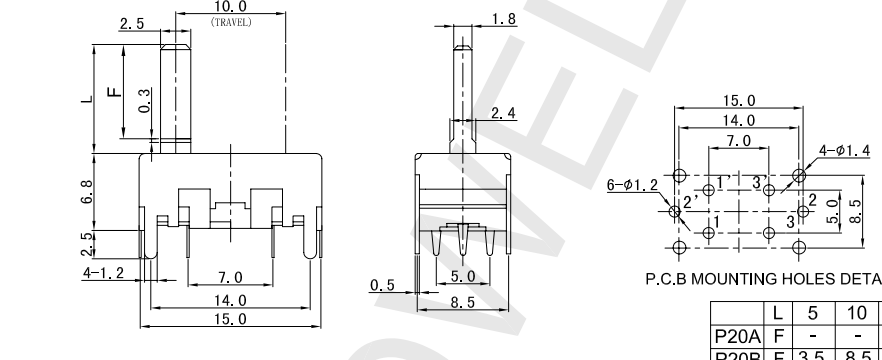
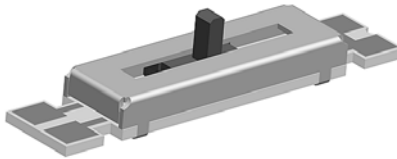
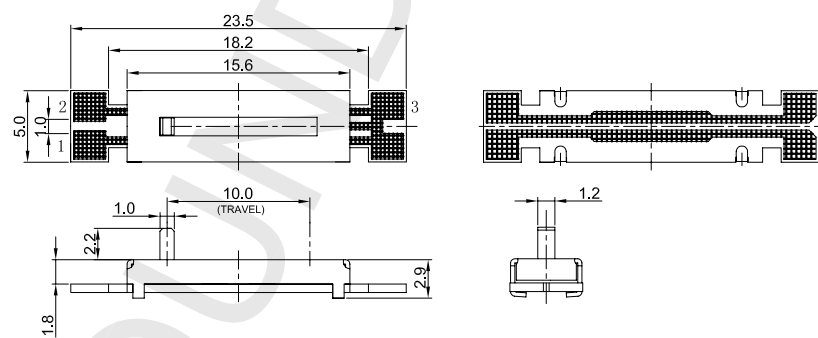
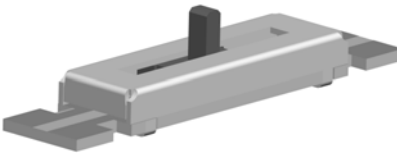
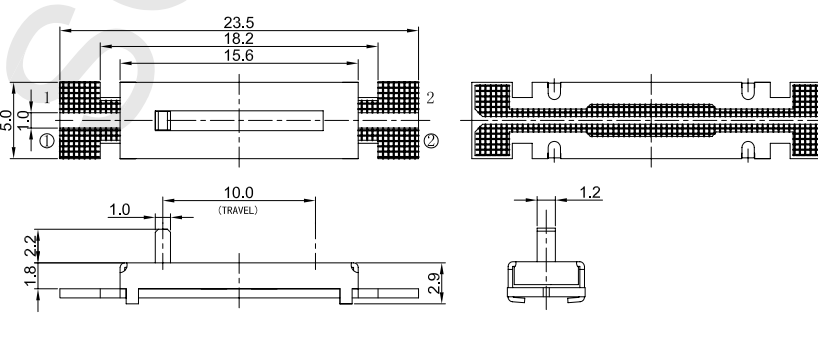
SV10 Series POTENTIOMETER



企业微信，扫码有惊喜



升威官网，发现更多产品

MODEL 品名	DIMENSIONS 尺寸	UNIT:mm												
SV1001NOB0X-HA1 	 <p>P.C.B MOUNTING HOLES DETAIL</p>	<table border="1"> <tr> <td>L</td> <td>2.5</td> <td>3</td> <td>5</td> <td>6</td> <td>10</td> </tr> </table>	L	2.5	3	5	6	10						
L	2.5	3	5	6	10									
SV1002GOB0X-HA1 	 <p>P.C.B MOUNTING HOLES DETAIL</p>	<table border="1"> <tr> <td>L</td> <td>5</td> <td>10</td> <td>15</td> </tr> <tr> <td>P20A</td> <td>F</td> <td>-</td> <td>-</td> </tr> <tr> <td>P20B</td> <td>F</td> <td>3.5</td> <td>8.5</td> </tr> </table>	L	5	10	15	P20A	F	-	-	P20B	F	3.5	8.5
L	5	10	15											
P20A	F	-	-											
P20B	F	3.5	8.5											
SV1003NAA0X-WA0 														
SV1003GCA0X-WA0 														



SOUNDWELL®

<http://soundwell-cn.com>

SV10 Series POTENTIOMETER



企业微信，扫码有惊喜



升威官网，发现更多产品

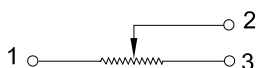
MODEL 品名

DIMENSIONS 尺寸

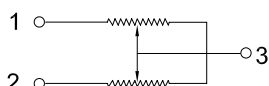
UNIT:mm

SV10 SERIES CIRCUIT DIAGRAM

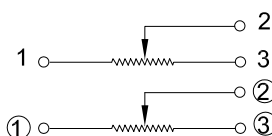
NO



NA



GO



GC

