



SOUNDWELL®

http://soundwell-cn.com

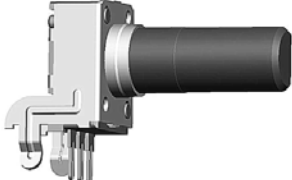
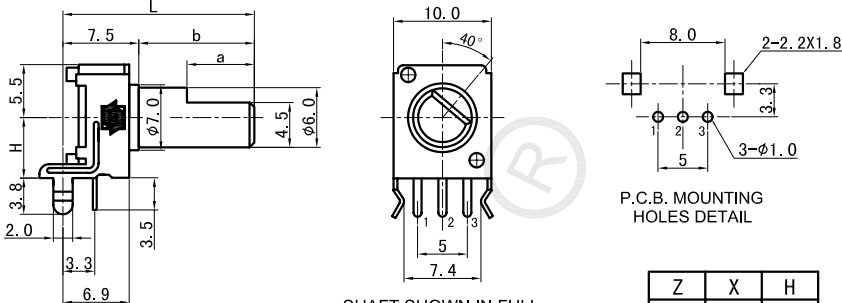
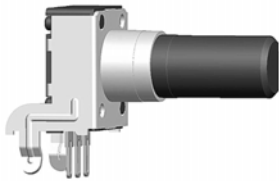
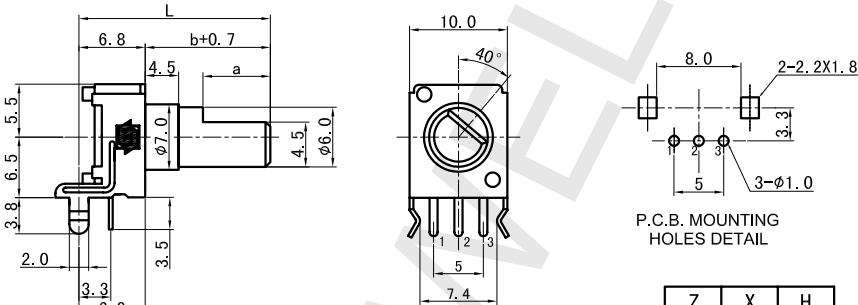

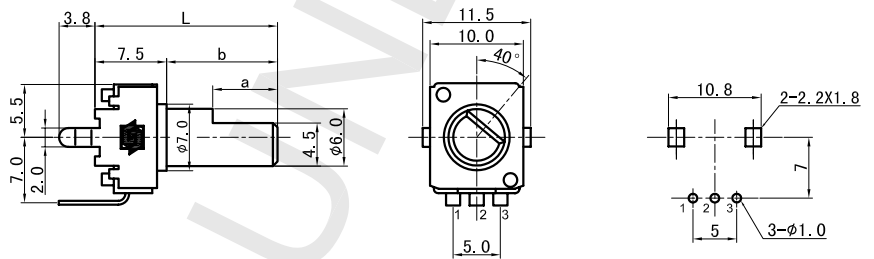
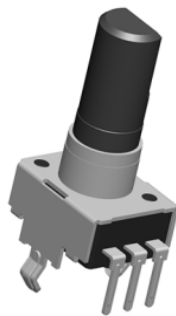
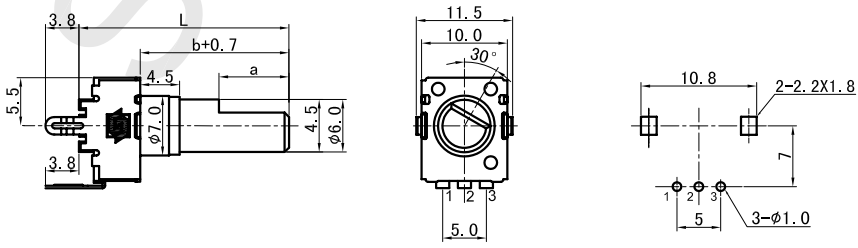
RA09 Series POTENTIOMETER



企业微信，扫码有惊喜



升威官网，发现更多产品

MODEL 品名	DIMENSIONS 尺寸	UNIT:mm									
RA0901NOX0□-VA□	  <p>SHAFT SHOWN IN FULL C.C.W. POSITION</p> <table border="1"> <thead> <tr> <th>Z</th> <th>X</th> <th>H</th> </tr> </thead> <tbody> <tr> <td>A</td> <td>1</td> <td>6.5</td> </tr> <tr> <td>B</td> <td>2</td> <td>10</td> </tr> </tbody> </table>	Z	X	H	A	1	6.5	B	2	10	
Z	X	H									
A	1	6.5									
B	2	10									
RA0901NOX0□-VA□	  <p>SHAFT SHOWN IN FULL C.C.W. POSITION</p> <table border="1"> <thead> <tr> <th>Z</th> <th>X</th> <th>H</th> </tr> </thead> <tbody> <tr> <td>A</td> <td>1</td> <td>6.5</td> </tr> <tr> <td>B</td> <td>2</td> <td>10</td> </tr> </tbody> </table>	Z	X	H	A	1	6.5	B	2	10	
Z	X	H									
A	1	6.5									
B	2	10									
RA0901NOX0D-HA1	  <p>SHAFT SHOWN IN FULL C.C.W. POSITION</p> <p>P.C.B. MOUNTING HOLES DETAIL</p>										
RA0901NOX0K-HA1	  <p>SHAFT SHOWN IN FULL C.C.W. POSITION</p> <p>P.C.B. MOUNTING HOLES DETAIL</p>										



SOUNDWELL®

<http://soundwell-cn.com>

RA09 Series POTENTIOMETER



企业微信，扫码有惊喜



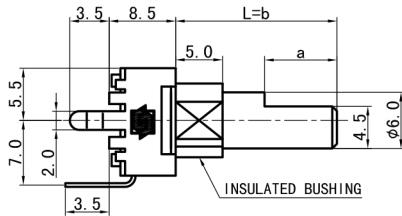
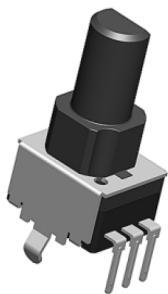
升威官网，发现更多产品

MODEL 品名

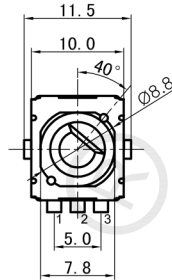
DIMENSIONS 尺寸

UNIT:mm

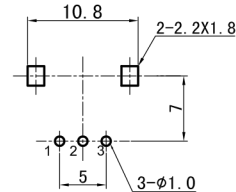
RA0901NOU0Q-HA1



L	26.5	21.5	16.5	16.5	15	11.5	11.5
a	12	12	11	7	7	6.5	6

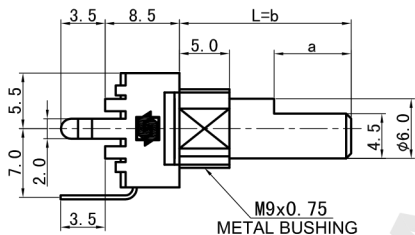
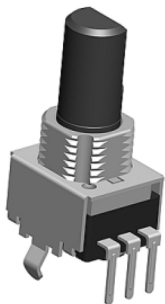


SHAFT SHOWN IN FULL
C.C.W. POSITION

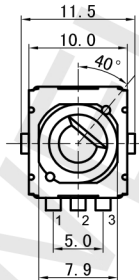


P.C.B. MOUNTING
HOLES DETAIL

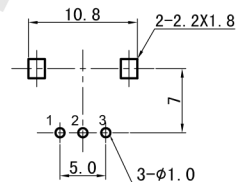
RA0901NOC0Q-HA1



L	26.5	21.5	16.5	16.5	15	11.5	11.5
a	12	12	11	7	7	6.5	6



SHAFT SHOWN IN FULL
C.C.W. POSITION



P.C.B. MOUNTING
HOLES DETAIL



SOUNDWELL®

<http://soundwell-cn.com>


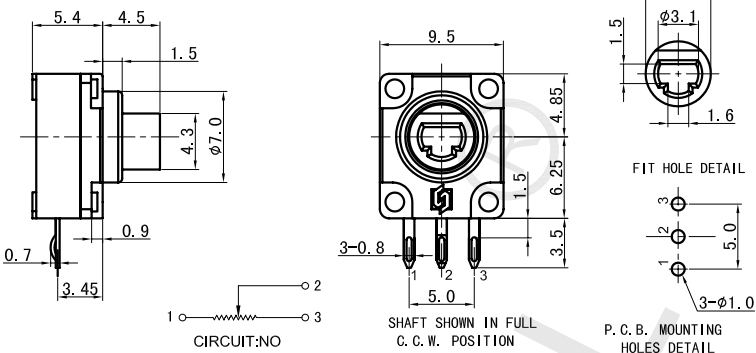

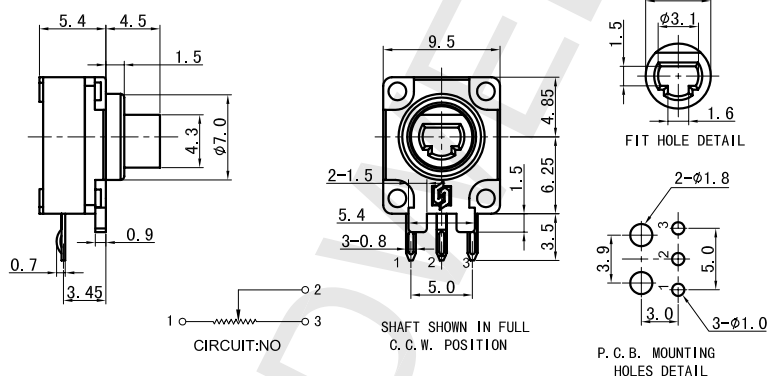
RA09 Series POTENTIOMETER



企业微信，扫码有惊喜



升威官网，发现更多产品

MODEL 品名	DIMENSIONS 尺寸	UNIT:mm
RA0909NOA0X-VA1 	 <p>5.4 4.5 1.5 4.3 7.0 0.7 0.9 3.45 1 2 3 CIRCUIT:NO</p> <p>9.5 4.85 1.5 6.25 3.5 5.0 3-0.8 1 2 3 SHAFT SHOWN IN FULL C. C. W. POSITION</p> <p>Ø5.0 Ø3.1 1.6 FIT HOLE DETAIL</p> <p>3 2 1 5.0 3-Ø1.0 P. C. B. MOUNTING HOLES DETAIL</p>	
RA0909NOB0X-VA1 	 <p>5.4 4.5 1.5 4.3 7.0 0.7 0.9 3.45 1 2 3 CIRCUIT:NO</p> <p>9.5 4.85 1.5 6.25 3.5 5.0 3-0.8 1 2 3 SHAFT SHOWN IN FULL C. C. W. POSITION</p> <p>2-1.5 5.4 3-0.8 1 2 3 2-Ø1.8 3.9 5.0 3-Ø1.0 P. C. B. MOUNTING HOLES DETAIL</p>	
RA0909 SERIES COMMON SPECIFICATION		
Total Resistance Range	总阻及误差	$1K\Omega < R < 1M\Omega \pm 20\%$; $1K\Omega \geq R \geq 1M\Omega \pm 30\%$;
Resistance Taper	电阻特性曲线	0B
Rating Power	额定功率	0.2W
Total Rotational Angle	旋转角度	45°/180°/300°
Rotational Torque	旋转力矩	5~70gf.cm
Shaft Stop Strength	轴止档强度	≥1Kgf.cm
Shaft Push & Pull Strength	轴推拉强度	≥3Kgf
Rotational Life	旋转寿命	10,000 cycles Min
<p>Note:In this catalog,if some parameters or drawings are different from the "Approval sheet",it's subject to the "Approval sheet".</p> <p>注明:如说明书与承认书规格参数、图面有异,均以承认书为准。</p>		



SOUNDWELL®

http://soundwell-cn.com

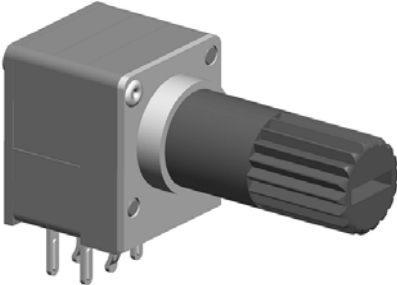
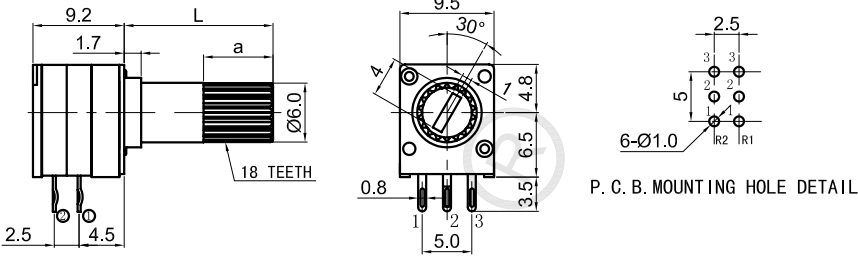
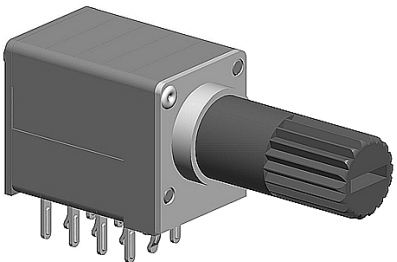
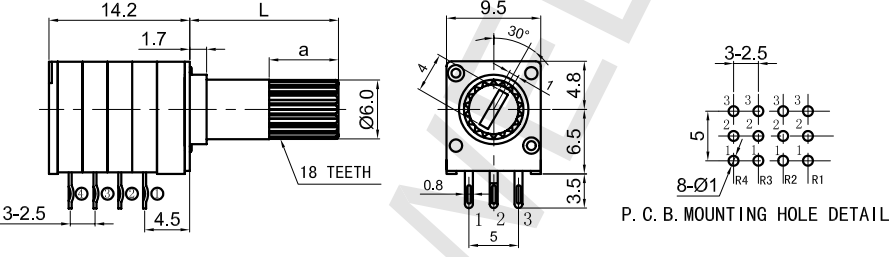
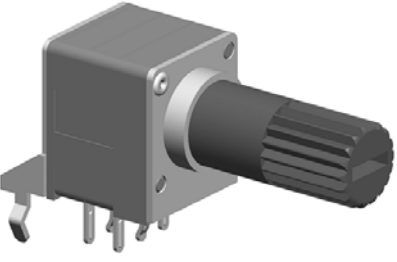
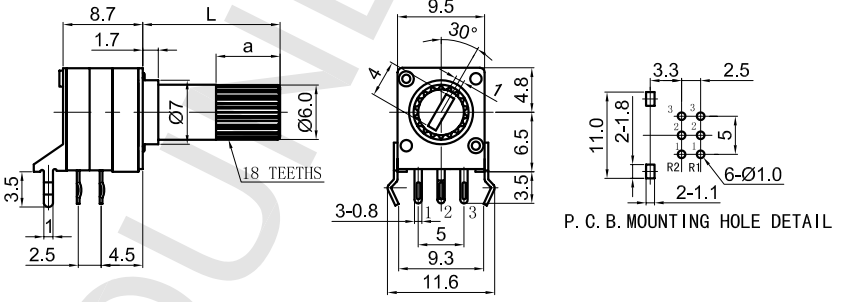
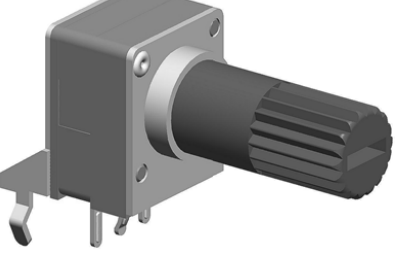
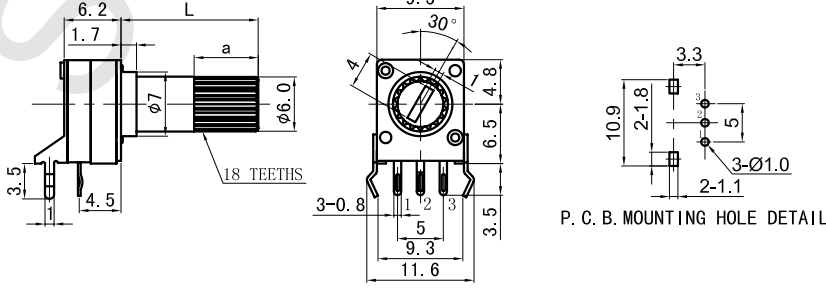
RA09 Series POTENTIOMETER



企业微信，扫码有惊喜



升威官网，发现更多产品

MODEL 品名	DIMENSIONS 尺寸	UNIT:mm						
<p>RA0917GOX0X-VA1</p> 	 <table border="1" data-bbox="1294 703 1442 757"> <tr> <td>L</td> <td>15.5</td> <td>7.0</td> </tr> <tr> <td>a</td> <td>10.5</td> <td>7.0</td> </tr> </table>	L	15.5	7.0	a	10.5	7.0	
L	15.5	7.0						
a	10.5	7.0						
<p>RA0917FOX0X-VA1</p> 	 <table border="1" data-bbox="1278 1144 1426 1198"> <tr> <td>L</td> <td>15.5</td> <td>7.0</td> </tr> <tr> <td>a</td> <td>10.5</td> <td>7.0</td> </tr> </table>	L	15.5	7.0	a	10.5	7.0	
L	15.5	7.0						
a	10.5	7.0						
<p>RA0917GOX0A-VA1</p> 	 <table border="1" data-bbox="1278 1599 1426 1653"> <tr> <td>L</td> <td>15.5</td> <td>10.5</td> </tr> <tr> <td>a</td> <td>7.0</td> <td>7.0</td> </tr> </table>	L	15.5	10.5	a	7.0	7.0	
L	15.5	10.5						
a	7.0	7.0						
<p>RA0917NOX0A-VA1</p> 	 <table border="1" data-bbox="1278 2040 1426 2094"> <tr> <td>L</td> <td>15.5</td> <td>10.5</td> </tr> <tr> <td>a</td> <td>7.0</td> <td>7.0</td> </tr> </table>	L	15.5	10.5	a	7.0	7.0	
L	15.5	10.5						
a	7.0	7.0						



SOUNDWELL®

<http://soundwell-cn.com>

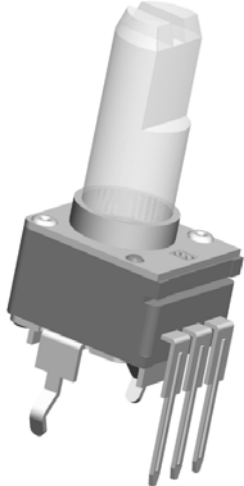
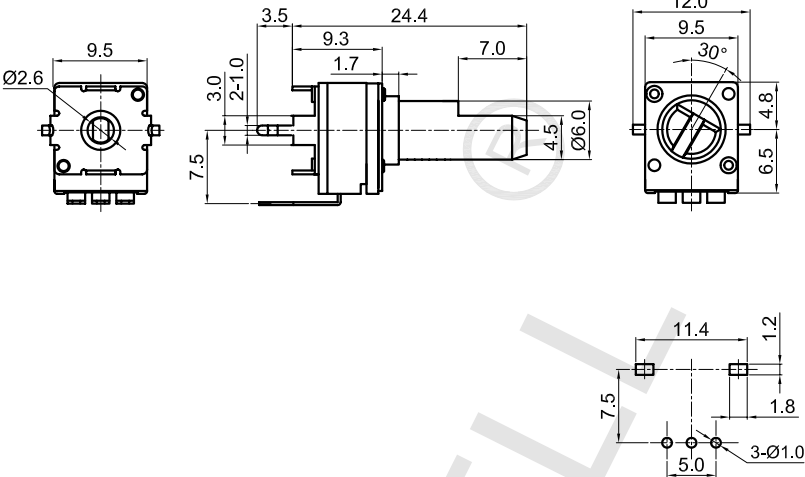
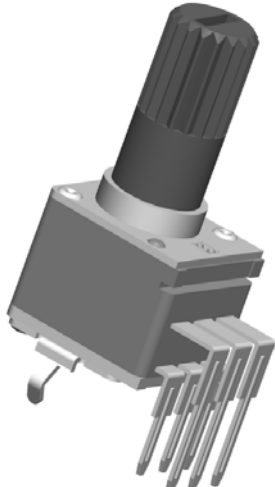
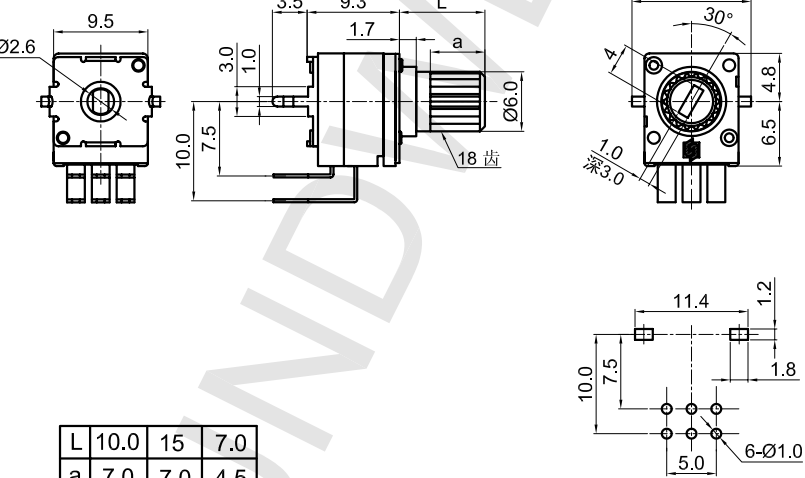
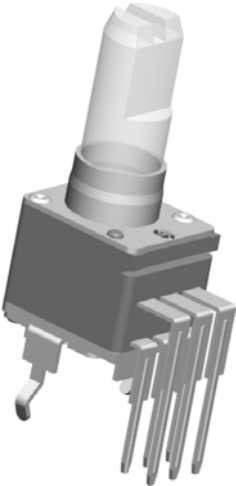
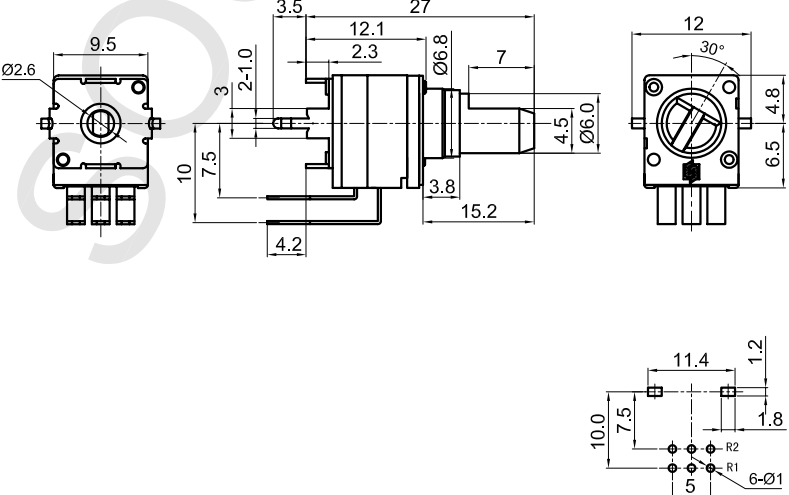
RA09 Series POTENTIOMETER



企业微信，扫码有惊喜



升威官网，发现更多产品

MODEL 品名	DIMENSIONS 尺寸	UNIT:mm								
<p>RA0917NOX0B-HA1</p> 										
<p>RA0917GOX0C-HA1</p> 	 <table border="1" data-bbox="676 1424 874 1491"> <tr> <td>L</td> <td>10.0</td> <td>15</td> <td>7.0</td> </tr> <tr> <td>a</td> <td>7.0</td> <td>7.0</td> <td>4.5</td> </tr> </table>	L	10.0	15	7.0	a	7.0	7.0	4.5	
L	10.0	15	7.0							
a	7.0	7.0	4.5							
<p>RA0917GOX0B-HA2</p> 										



SOUNDWELL®

http://soundwell-cn.com

RA09 Series POTENTIOMETER



企业微信，扫码有惊喜

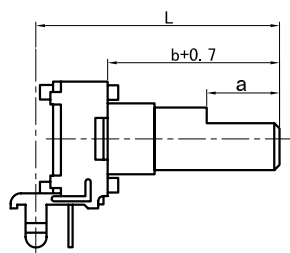
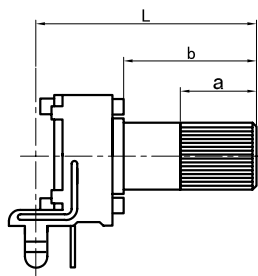


升威官网，发现更多产品

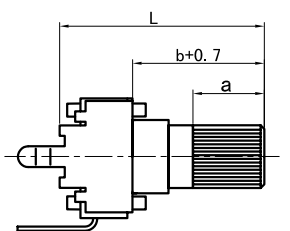
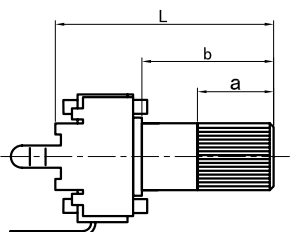
MODEL 品名	DIMENSIONS 尺寸	UNIT:mm
----------	---------------	---------

CATEGORIES	DIMENSIONS	UNIT:mm
------------	------------	---------

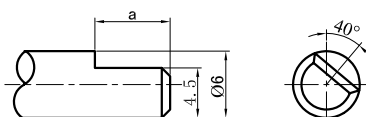
V-TYPE (VERTICAL)



H-TYPE (HORIZONTAL)



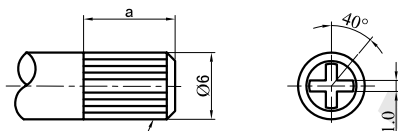
FA-TYPE



SHAFT SHOWN IN FULL
C.C.W POSITION

L	15	20	25	30	35
b	7.5	12.5	17.5	22.5	27.5
a	6	7	12	12	12

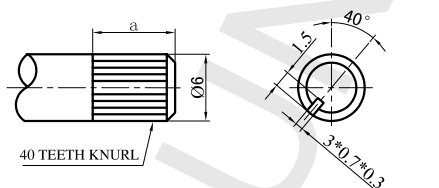
KT-TYPE



SHAFT SHOWN IN FULL
C.C.W POSITION

L	15	20	25	30	35
b	7.5	12.5	17.5	22.5	27.5
a	6	7	12	12	7

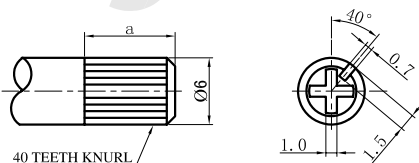
KS-TYPE



SHAFT SHOWN IN FULL
C.C.W POSITION

L	15	20	25	30
b	7.5	12.5	17.5	22.5
a	6	7	12	12

KX-TYPE



SHAFT SHOWN IN FULL
C.C.W POSITION

L	15	20	25	30	35
b	7.5	12.5	17.5	22.5	27.5
a	6	7	12	12	7